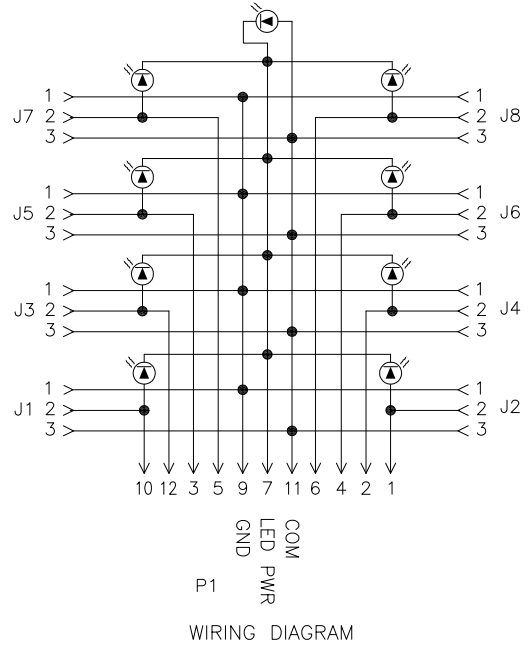
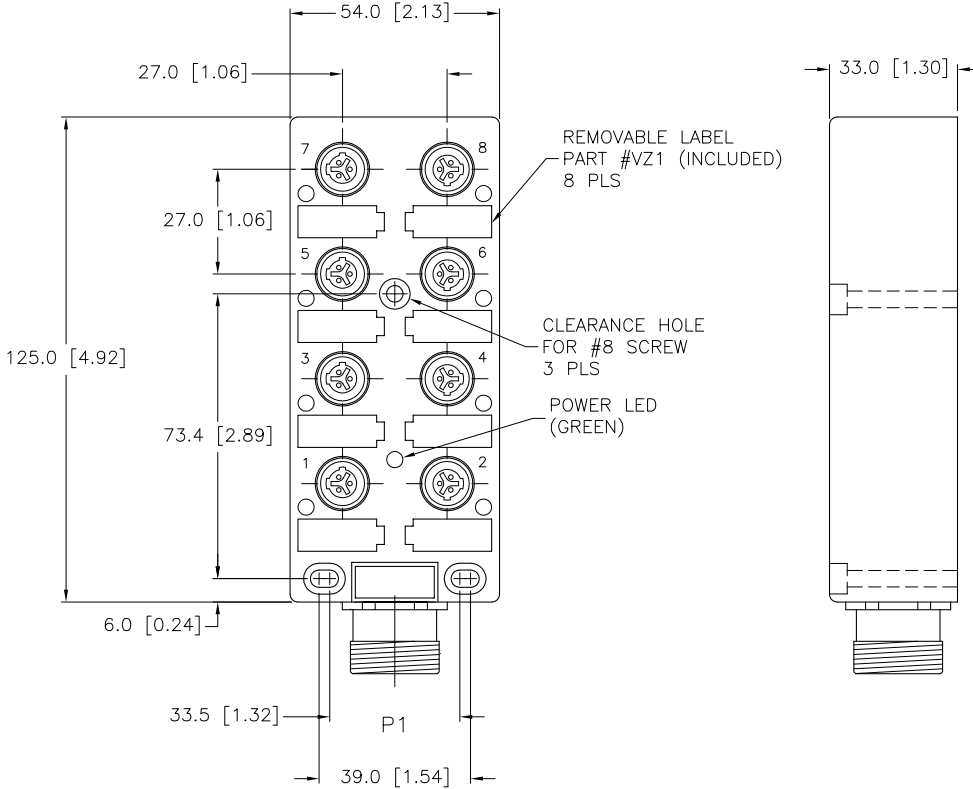
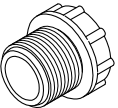


SPECIFICATIONS	
HOUSING MATERIAL/COLOR	NYLON/YELLOW
RECEPTACLE MATERIAL/PLATING	BRASS/NICKEL
CONTACT CARRIERS/COLOR	NYLON or PBT/BLACK (J1-J8), GRAY (P1)
CONTACT MATERIAL/PLATING	BRASS/GOLD
OPERATING VOLTAGE	40-120 VAC
OPERATING CURRENT	4.0 AMPS PER PORT, 7.0 AMPS TOTAL
PROTECTION CLASS to DIN 40050	NEMA 1,3,4,6P and IP 67 - ONLY WHEN ALL RECEPTACLES ARE COVERED WITH PLUGS OR CONNECTED
OPERATING TEMPERATURE	-30°C to +80°C (-22°F to +176°F)



SOURCE DRAWING - FOR REFERENCE ONLY



SB-CC CLOSURE CAPS
(2 INCLUDED)

RELATED DOCUMENTS 1. 2. 3. 4.	3RD ANGLE PROJECTION 	THIS DRAWING IS PROPERTY OF TURCK INC. USE OF THIS DOCUMENT WITHOUT WRITTEN PERMISSION IS PROHIBITED.		3000 CAMPUS DRIVE MINNEAPOLIS, MN 55441 1-800-544-7769 (763) 553-7300 (763) 553-0708 fax turck.com	
	MATERIAL	DRFT IK	DATE 3/6/98	DESCRIPTION VBKB 80-X9-CS12	
FINISH	ALL DIMENSIONS DISPLAYED ON THIS DRAWING ARE FOR REFERENCE ONLY	DSGN	SCALE 1=2	IDENTIFICATION NO. U0112-32	
CONTACT TURCK FOR MORE INFORMATION		UNIT OF MEASUREMENT MILLIMETER [INCH]		REV D	
DO NOT SCALE THIS DRAWING		FILE: U0112-32		SHEET 1 OF 1	

D	UPDATE SOURCE DRAWINGS TO MATCH REDLINES, SEE ECO	RDS	02/01/10	29780
REV	DESCRIPTION	BY	DATE	ECO NO.